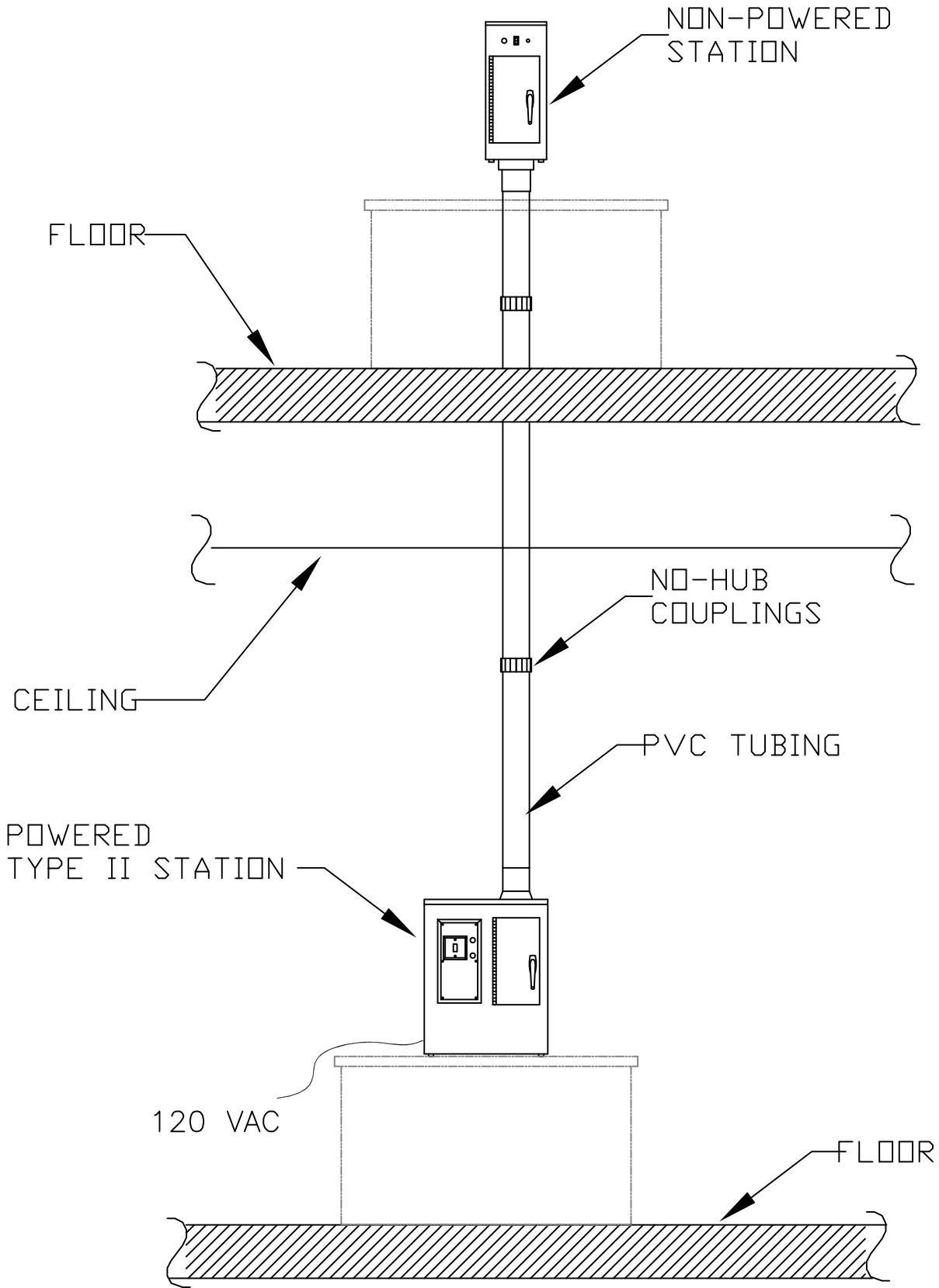


TOLERANCES  $\pm 1/32"$  FRACTIONAL DIMENSIONS  
 TOLERANCES  $\pm .005"$  DECIMAL DIMENSIONS  
 UNLESS OTHERWISE SPECIFIED



INFORMATION CONTAINED HEREIN IS  
 PROPRIETARY TO EAGLE PNEUMATIC, INC.  
 ALL RIGHTS RESERVED



**EAGLE**  
 PNEUMATIC, INC.  
 (863)644-4870

DATE:  
 2/14/92  
 DRAWN BY:  
 JAC

REVISION  
 1-8/18/98

NAME  
 TYPICAL  
 GRAVITY SYSTEM

DRAWING NO.  
 S-236  
 CADFILE\A-27