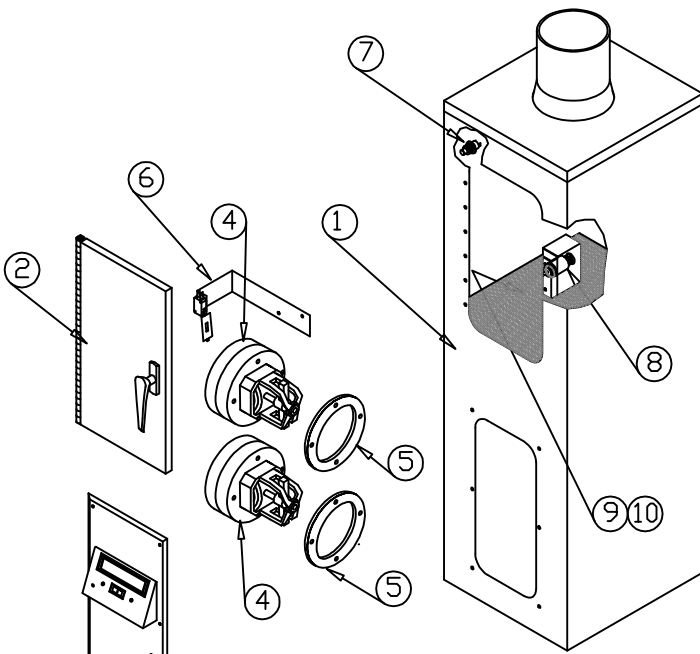


### STATION ASSEMBLY A-40000

ITEM	REQ'D	DESCRIPTION	PART NO.
①	1	STATION BODY	A-XXXXX
②	1	DOOR ASSEMBLY	A-9637
③	1	ELECTRICAL PANEL	A-11961
④	2	TURBO COMPRESSOR	E-0700
⑤	2	MOTOR GASKET	R-6823
⑥	1	SAIL SWITCH & BRKT	A-9619
⑦	1	DOOR SWITCH	A-0004
⑧	1	SOLENOID & BRACKET	A-9535
⑨	1	LANDING PAD	A-6836
⑩	1	INSULATION KIT	A-6865

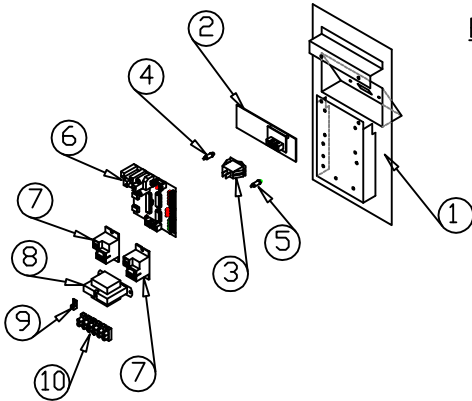
WIRE PER WIRING DIAGRAM # E-11793  
FOR PRESSURE - PRESSURE SYSTEMS



STATION ASSEMBLY (A-40000)

### ELECTRICAL PANEL ASSEMBLY (A-11961)

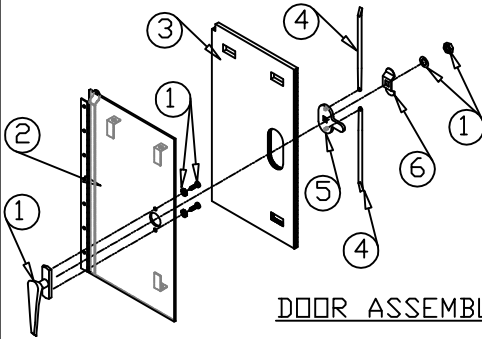
ITEM	REQ'D	DESCRIPTION	PART NO.
①	1	ELEC PANEL PLATE	A-11962
②	1	LCD CIRCUIT CARD	E-11963
③	1	SEND SWITCH	E-11618
④	1	LED (RED)	E-20163
⑤	1	LED (GREEN)	E-20164
⑥	1	M1 PCB	E-11907
⑦	2	RELAY	E-11166
⑧	1	TRANSFORMER 24 V	E-11167
⑨	1	GROUND LUG	A-XXXXX
⑩	1	TERMINAL BLOCK	E-11306



ELECTRICAL PANEL ASSEMBLY  
(A-11961) (SHOWN FROM REAR)

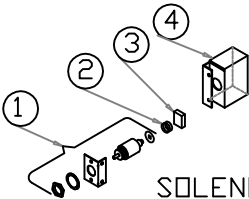
### DOOR ASSEMBLY (A-9637)

ITEM	REQ'D	DESCRIPTION	PART NO.
①	1	HANDLE ASSEMBLY	A-9639
②	1	DOOR SUB-ASSEMBLY	A-9636
③	1	DOOR SEAL	R-6804
④	2	LOCKING ARM	J-9640
⑤	1	CAM	M-2001
⑥	1	HOLDING PLATE	M-2002



DOOR ASSEMBLY (A-9637)

ITEM	REQ'D	DESCRIPTION	PART NO.
①	1	SOLENOID	A-1226
②	1	SPRING	J-11355
③	1	NEOPRENE (3"x1.5"x1/4")	NONE
④	2	BRACKET, SOLENOID	J-9536



SOLENOID ASSEMBLY (A-9535)



INFORMATION  
CONTAINED HEREIN  
IS PROPRIETARY TO  
EAGLE PNEUMATIC,  
INC ALL RIGHTS  
RESERVED.

TOLERANCES:  
UNLESS OTHERWISE SPECIFIED  
FRACTIONS +/-1/32"  
DECIMALS +/-0.005"

REVISIONS:  
---/---/---

4 INCH TYPE I  
ULTIMATE STATION  
COMPONENT PARTS

DRAWN BY: JAC

DATE: \_\_\_

NAME:  
4 INCH TYPE II  
ULTIMATE  
STATION W/LCD  
OPTION  
COMPONENT PARTS

PART NO.

A-40000

CADFILE: --- ISS: 01