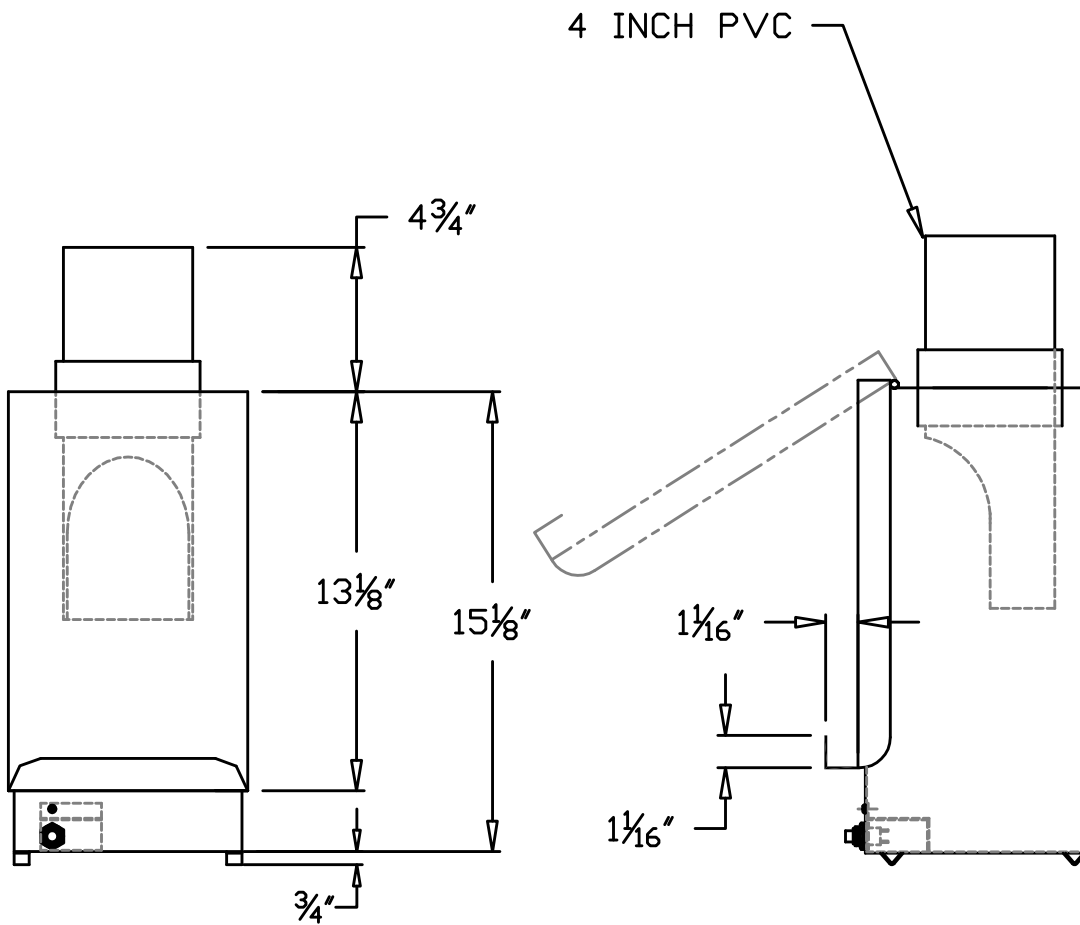


TOP VIEW



FRONT VIEW

SIDE VIEW



INFORMATION CONTAINED HEREIN IS PROPRIETARY TO EAGLE PNEUMATIC, INC ALL RIGHTS RESERVED.

TOLERANCES:  
UNLESS OTHERWISE SPECIFIED  
FRACTIONS  $\pm 1/32"$   
DECIMALS  $\pm .005"$

REVISIONS:  
2-04/19/04  
3-12/21/04

DRAWN BY: JAC

DATE: 7-29/96

NAME:  
4 INCH TICKET  
DELIVERY  
TRUCK STATION  
(UP SEND)

PART NO.

S-10361

CADFILE: A19 ISS: 3