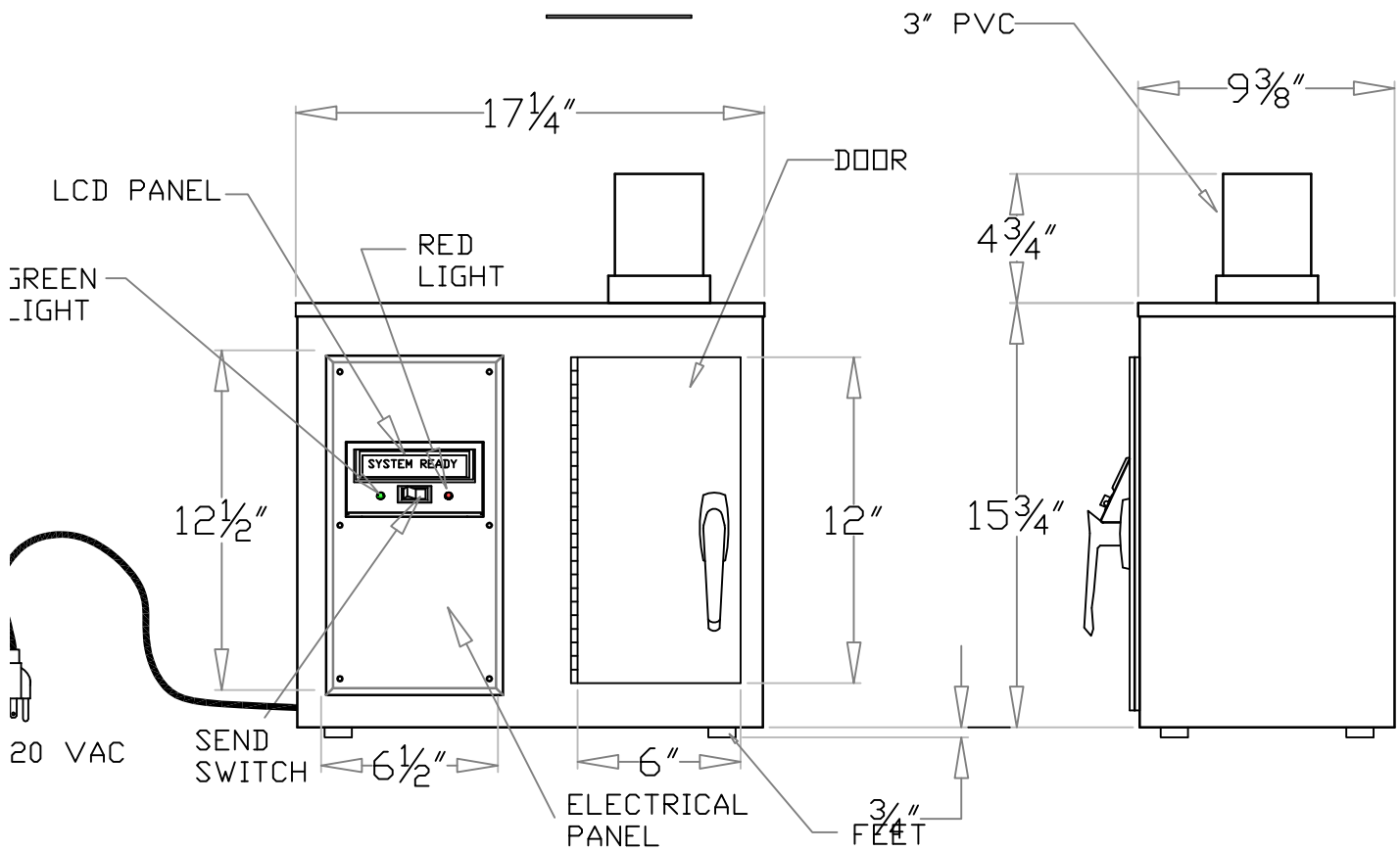


TOP VIEW



FRONT VIEW

SIDE VIEW

NOTE: PLUG IS NOT  
 ADJUSTABLE A DISCONNECT.  
 USER MUST SUPPLY  
 A SUITABLE DISCONNECT.

TOLERANCES  $\pm 1/32$ " FRACTIONAL DIMENSIONS  
 TOLERANCES  $\pm .005$ " DECIMAL DIMENSIONS  
 UNLESS OTHERWISE SPECIFIED

ALL INFORMATION CONTAINED HEREIN IS  
 PROPRIETARY TO EAGLE PNEUMATIC, INC.  
 ALL RIGHTS RESERVED

TITLE:  
 STATION, TYPE II  
 3-INCH UP-SEND

MATERIAL:  
 -----  
 -----

FINISH:  
 -----  
 -----

REV.  
 2-08/05/03  
 3-12/20/04  
 4-12/28/04

DRAWN: JAC

DATE: 08/05/03



**EAGLE**  
 PNEUMATIC, INC  
 (863)644-4870

DRAWING NO.

S-107

APPROVED:

ISSU