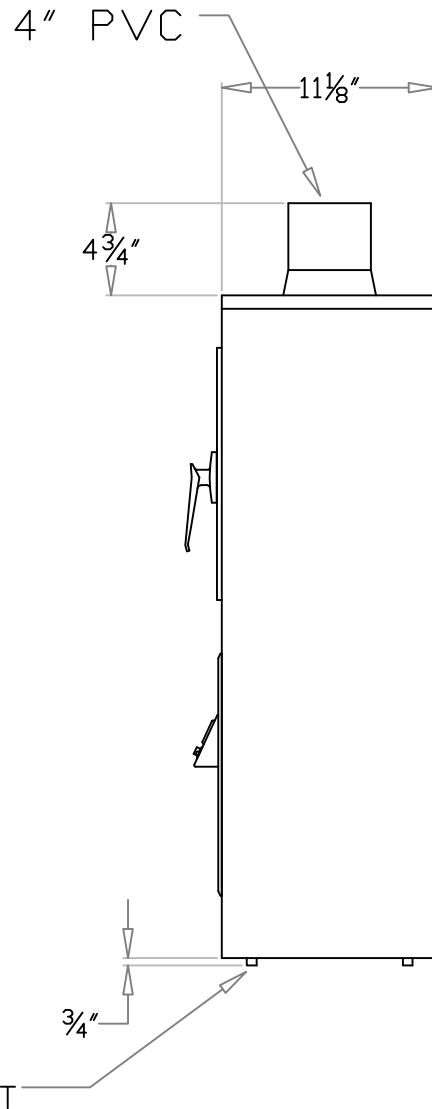
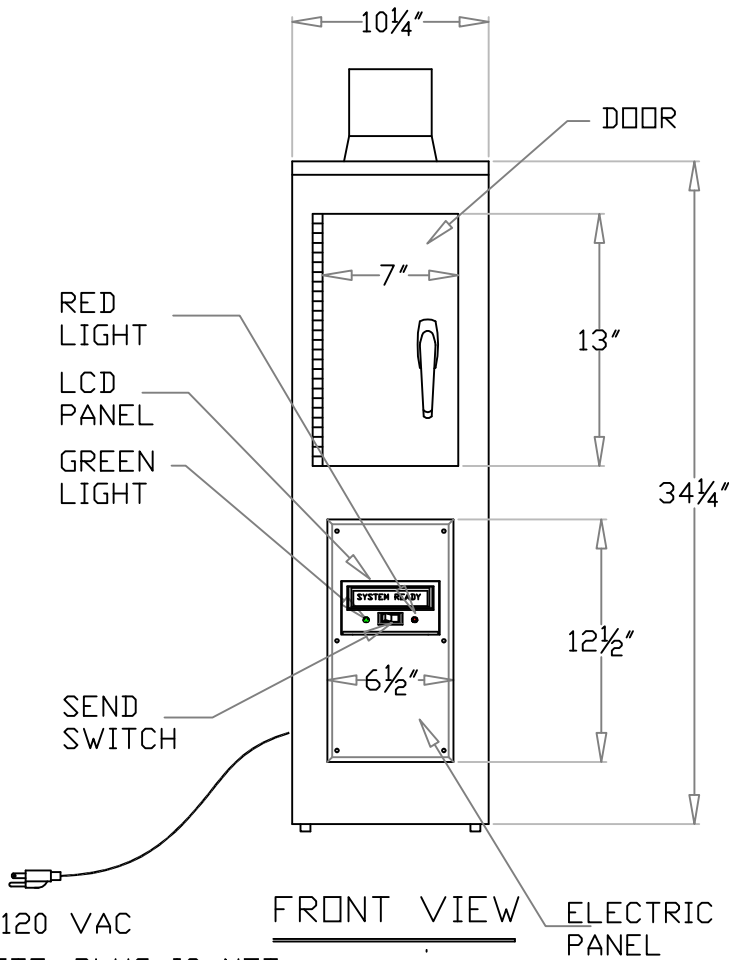


TOP VIEW



SIDE VIEW



FRONT VIEW

NOTE: PLUG IS NOT SUITABLE A DISCONNECT. USER MUST SUPPLY A SUITABLE DISCONNECT.

TOLERANCES  $\pm 1/32"$  FRACTIONAL DIMENSIONS  
TOLERANCES  $\pm .005"$  DECIMAL DIMENSIONS  
UNLESS OTHERWISE SPECIFIED

INFORMATION CONTAINED HEREIN IS PROPRIETARY TO EAGLE PNEUMATIC, INC. ALL RIGHTS RESERVED

TITLE:  
STATION, TYPE I  
4 INCH UP-SEND

MATERIAL:  
-----  
-----

FINISH:  
-----  
-----

REV.  
1.-01/20/98  
2.-08/26/03  
3.-12/20/04

DRAWN: JAC  
CADFILE\ A28

DATE: 09/19/96



**EAGLE**  
PNEUMATIC, INC.  
(863)644-4870

DRAWING NO.  
S-108

APPROVED:

ISSUE  
3