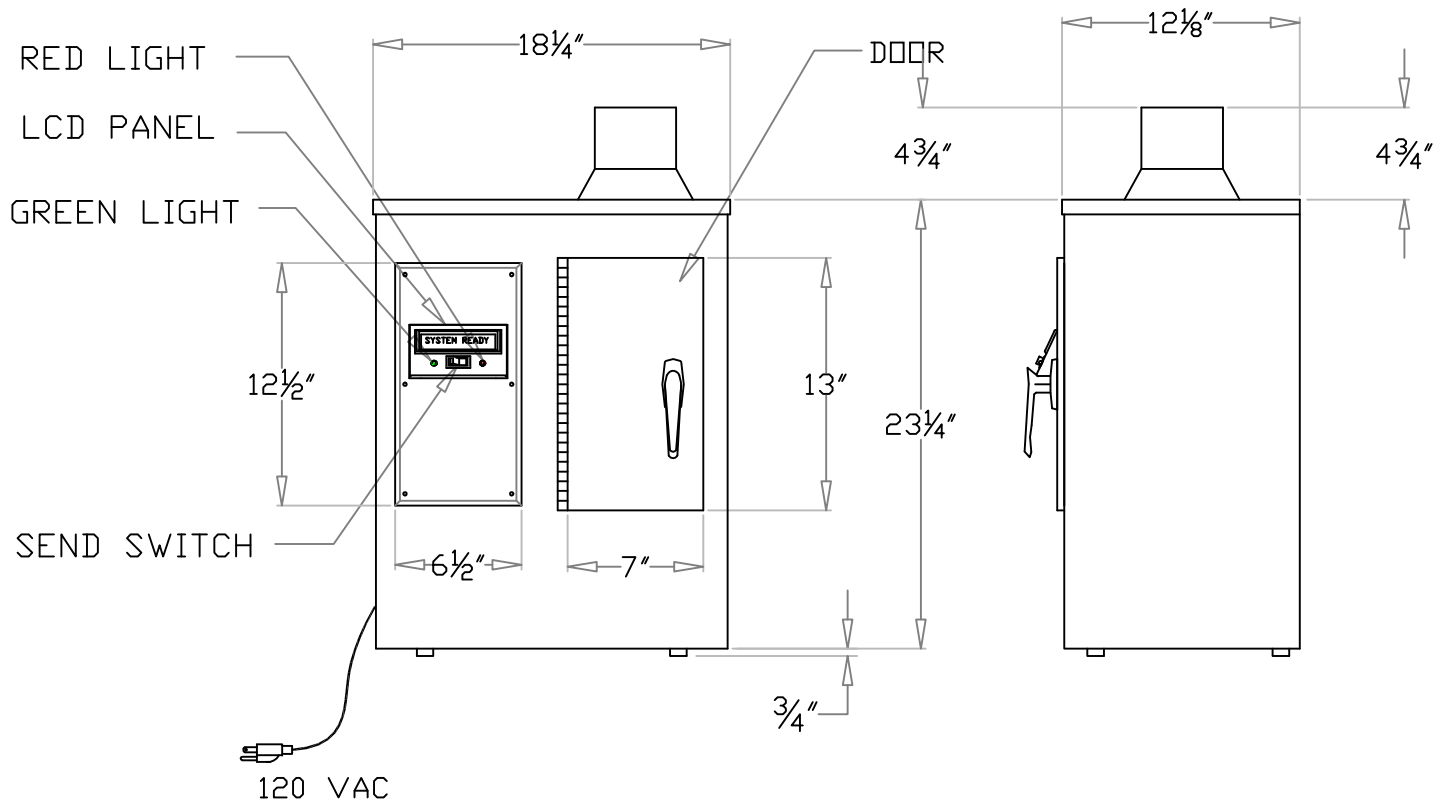


TOP VIEW



FRONT VIEW

SIDE VIEW

NOTE: PLUG IS NOT
SUITABLE A DISCONNECT.
USER MUST SUPPLY
A SUITABLE DISCONNECT.

TOLERANCES $\pm 1/32$ " FRACTIONAL DIMENSIONS
TOLERANCES $\pm .005$ " DECIMAL DIMENSIONS
UNLESS OTHERWISE SPECIFIED

INFORMATION CONTAINED HEREIN IS
PROPRIETARY TO EAGLE PNEUMATIC, INC.
ALL RIGHTS RESERVED

TITLE:
STATION TYPE II
4 INCH UP-SEND

MATERIAL:

FINISH:

REV.
1-10/28/98
2-09/24/03
3-12/20/04

DRAWN: JAC
CADFILE\ A28

DATE: 3/25/98



EAGLE
PNEUMATIC, INC.
(863)644-4870

DRAWING NO.

S-109

APPROVED:

ISSUE
3