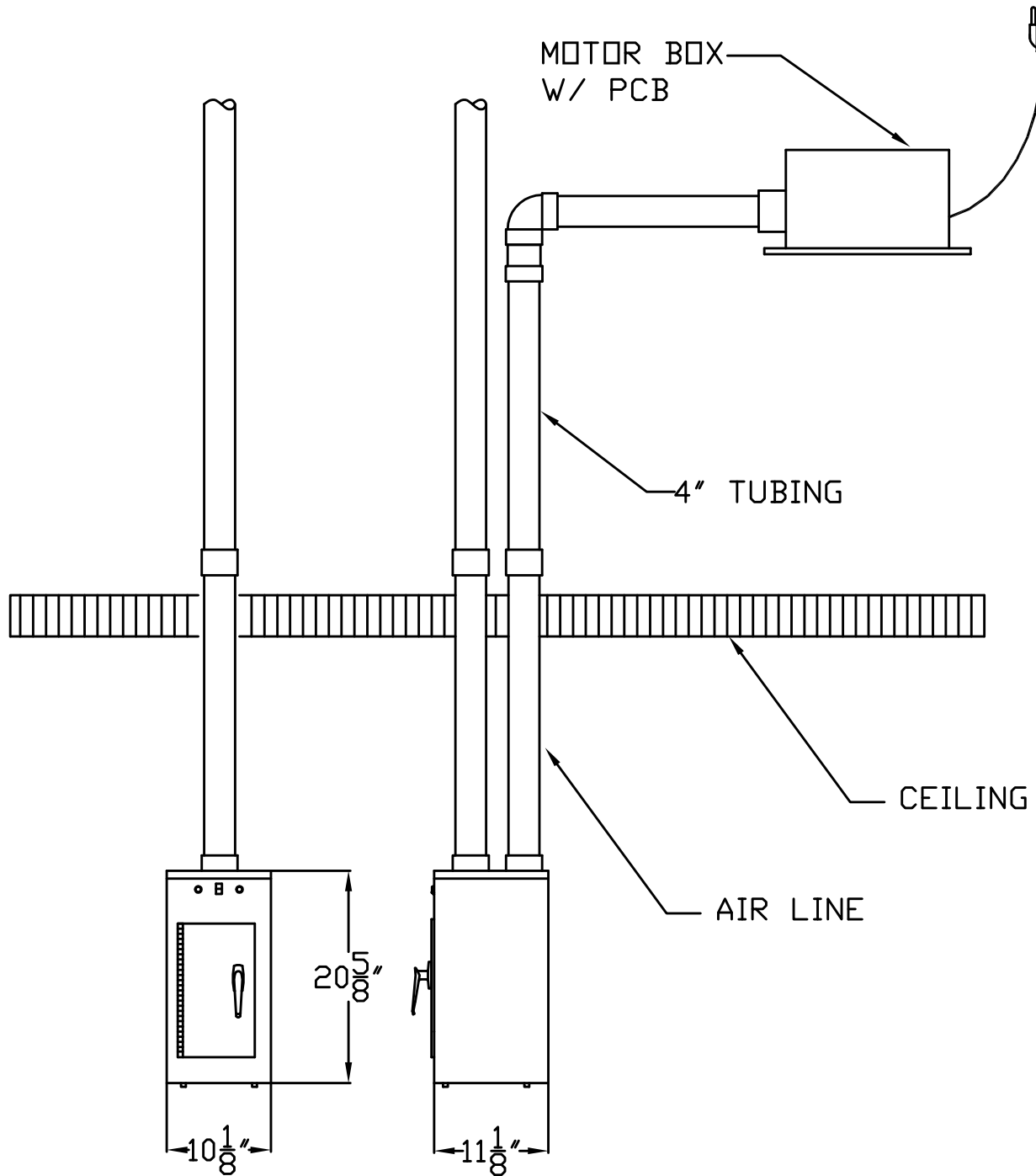


120 VAC



INFORMATION CONTAINED HEREIN IS
PROPRIETARY TO EAGLE PNEUMATIC, INC.
ALL RIGHTS RESERVED

TOLERANCES 1/32" FRACTIONAL DIMENSIONS
TOLERANCES .005" DECIMAL DIMENSIONS
UNLESS OTHERWISE SPECIFIED



TITLE:
4 INCH MINI MARK II
W/ REMOTE BLOWER
UP SEND

REV.
2-6/27/00

DRAWN BY:
JAC
DATE:
1/21/99

DRAWING NO.
S-11479

CADFILE\A35