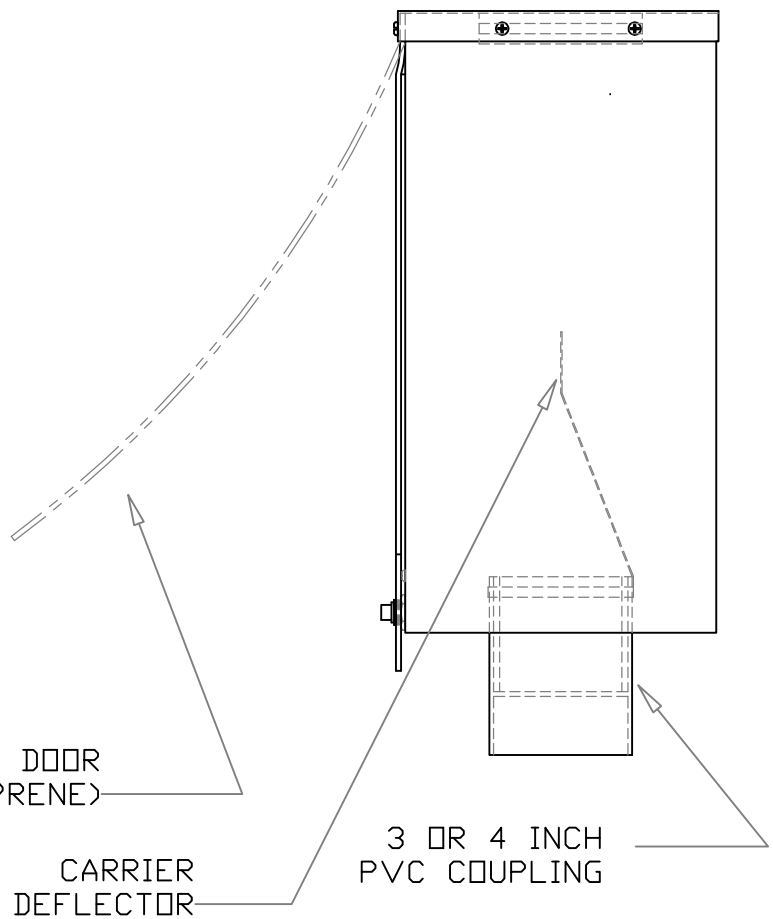
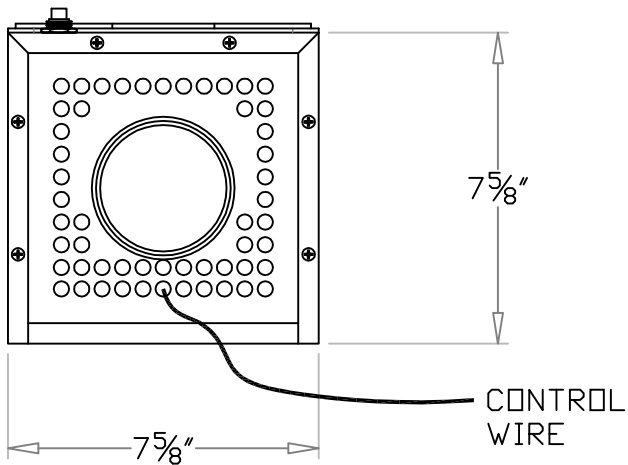


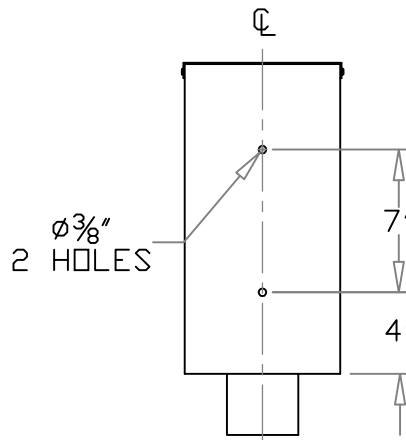
FRONT VIEW



SIDE VIEW



BOTTOM VIEW



REAR VIEW  
SHOWN 1/2 SIZE



INFORMATION CONTAINED HEREIN IS PROPRIETARY TO EAGLE PNEUMATIC, INC ALL RIGHTS RESERVED.

TOLERANCES:  
UNLESS OTHERWISE SPECIFIED  
FRACTIONS +/-1/32"  
DECIMALS +/-0.005"

REVISIONS:  
-----

DRAWN BY: JAC

DATE: 8/25/05

NAME:  
TRUCK STATION  
3 OR 4 INCH

PART NO.  
S-12190

CADFILE: A19 ISS: 1