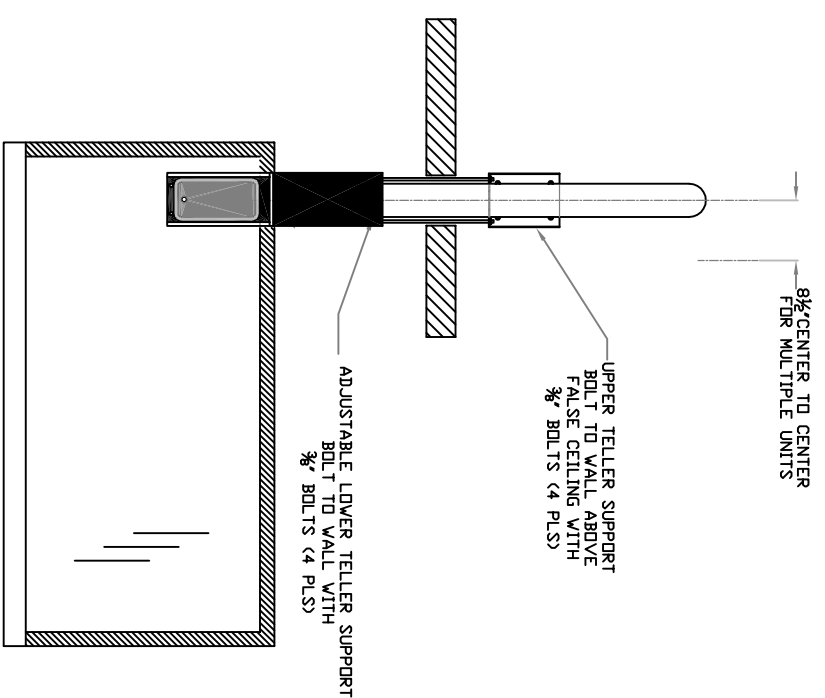



TELLER STATION  
FRONT ELEVATION



TOLERANCES ±1/32" FRACTIONAL DIMENSIONS TOLERANCES ±.005" DECIMAL DIMENSIONS UNLESS OTHERWISE SPECIFIED	MATERIAL:	
INFORMATION CONTAINED HEREIN IS PROPRIETARY TO EAGLE PNEUMATIC, INC. ALL RIGHTS RESERVED	FINISH:	
TITLE: INSTALLATION DETAILS M2 ELITE 4.5" TELLER UNIT UP-SEND	REV.:	DRAWING NO. S-12460
	DRAWN: JAC CADFILE: V-	DATE: 06/25/08
		APPROVED:
		ISSUE 1