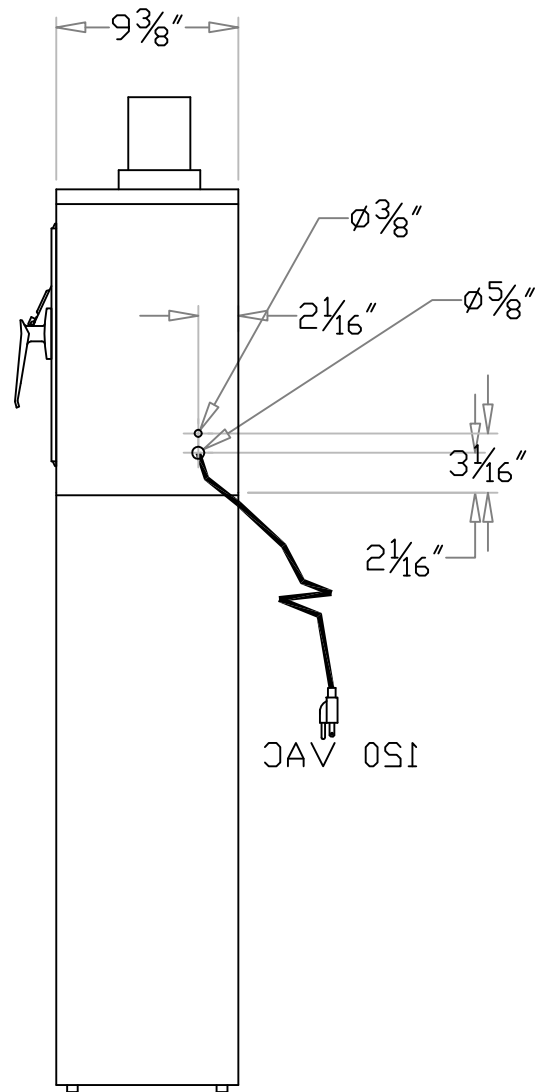


120 VAC  
 NOTE: PLUG IS NOT  
 SUITABLE A DISCONNECT.  
 USER MUST SUPPLY  
 A SUITABLE DISCONNECT.



120 VAC

TOLERANCES  $\pm 1/32$ " FRACTIONAL DIMENSIONS  
 TOLERANCES  $\pm .005$ " DECIMAL DIMENSIONS  
 UNLESS OTHERWISE SPECIFIED

INFORMATION CONTAINED HEREIN IS  
 PROPRIETARY TO EAGLE PNEUMATIC, INC.  
 ALL RIGHTS RESERVED

TITLE:  
 STATION, MARK II  
 3 INCH UP-SEND  
 POWERED END

MATERIAL:  
 -----  
 -----

FINISH:  
 -----  
 -----

REV.  
 1.-09/15/98  
 2.-08/19/03  
 3.-12/20/04

DRAWN: JAC  
 CADFILE\ A30

DATE: 03/08/98



**EAGLE**  
 PNEUMATIC, INC.  
 (863)644-4870

DRAWING NO.

S-141-3

APPROVED:

ISSUE  
 3