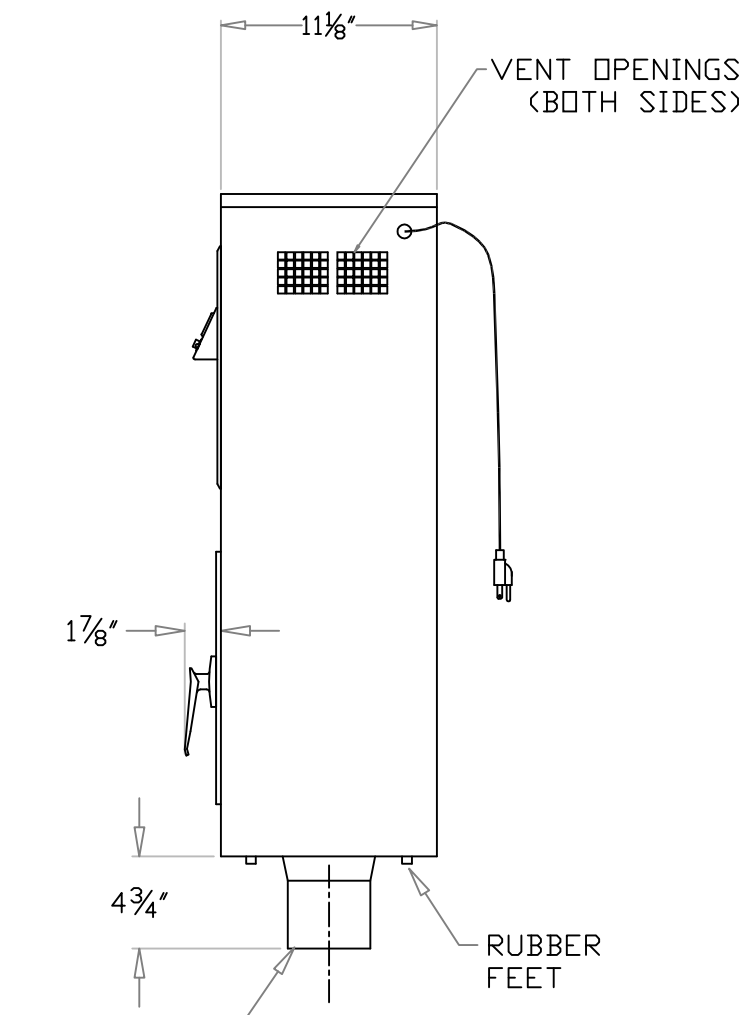
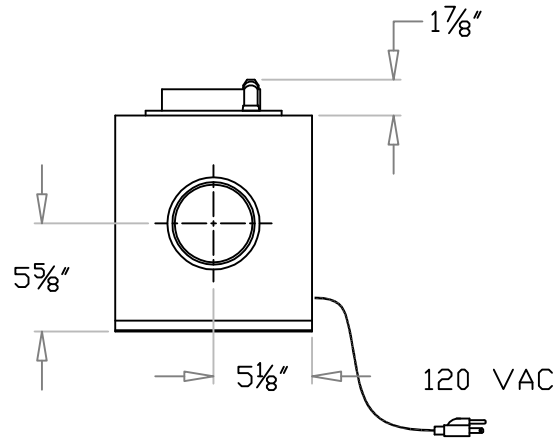



FRONT VIEW



SIDE VIEW



NOTE: PLUG IS NOT SUITABLE A DISCONNECT. USER MUST SUPPLY A SUITABLE DISCONNECT.

<p>TOLERANCES $\pm 1/32$" FRACTIONAL DIMENSIONS TOLERANCES $\pm .005$" DECIMAL DIMENSIONS UNLESS OTHERWISE SPECIFIED</p>	<p>MATERIAL: ----- -----</p>	 <p>EAGLE PNEUMATIC, INC. (863)644-4870</p>
<p>INFORMATION CONTAINED HEREIN IS PROPRIETARY TO EAGLE PNEUMATIC, INC. ALL RIGHTS RESERVED</p>	<p>FINISH: ----- -----</p>	
<p>TITLE: STATION, TYPE I 4-INCH DOWN-SEND</p>	<p>REV. 2-08/27/03 3-12/27/04</p> <p>DRAWN: JAC CADFILE\ A28</p> <p>DATE: 04/20/97</p>	<p>DRAWING NO. S-149</p> <p>APPROVED:</p> <p>ISSUE 2</p>