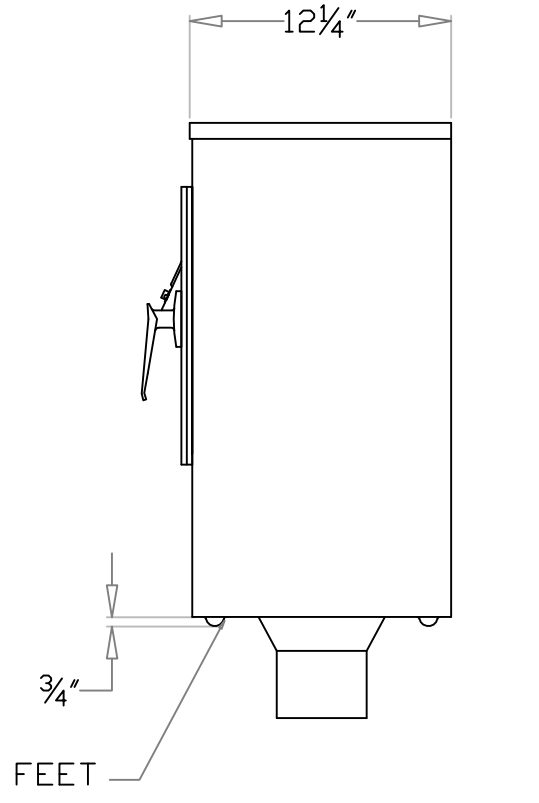
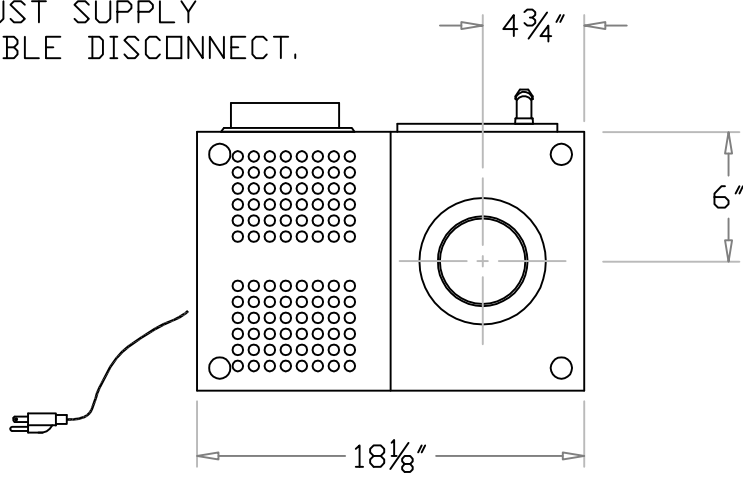


FRONT VIEW



SIDE VIEW

NOTE: PLUG IS NOT SUITABLE A DISCONNECT. USER MUST SUPPLY A SUITABLE DISCONNECT.



BOTTOM VIEW

TOLERANCES $\pm 1/32$ " FRACTIONAL DIMENSIONS
TOLERANCES $\pm .005$ " DECIMAL DIMENSIONS
UNLESS OTHERWISE SPECIFIED

MATERIAL:

INFORMATION CONTAINED HEREIN IS
PROPRIETARY TO EAGLE PNEUMATIC, INC.
ALL RIGHTS RESERVED

FINISH:

TITLE:
STATION, TYPE II
4 INCH DOWN-SEND

REV.
1-10/22/98
2-8/5/03
3-12/28/04

DRAWN: JAC
CADFILE\ A29

DATE: 10/30/89



EAGLE
PNEUMATIC, INC.
(863)644-4870

DRAWING NO.
S-150

APPROVED:

ISSUE
2