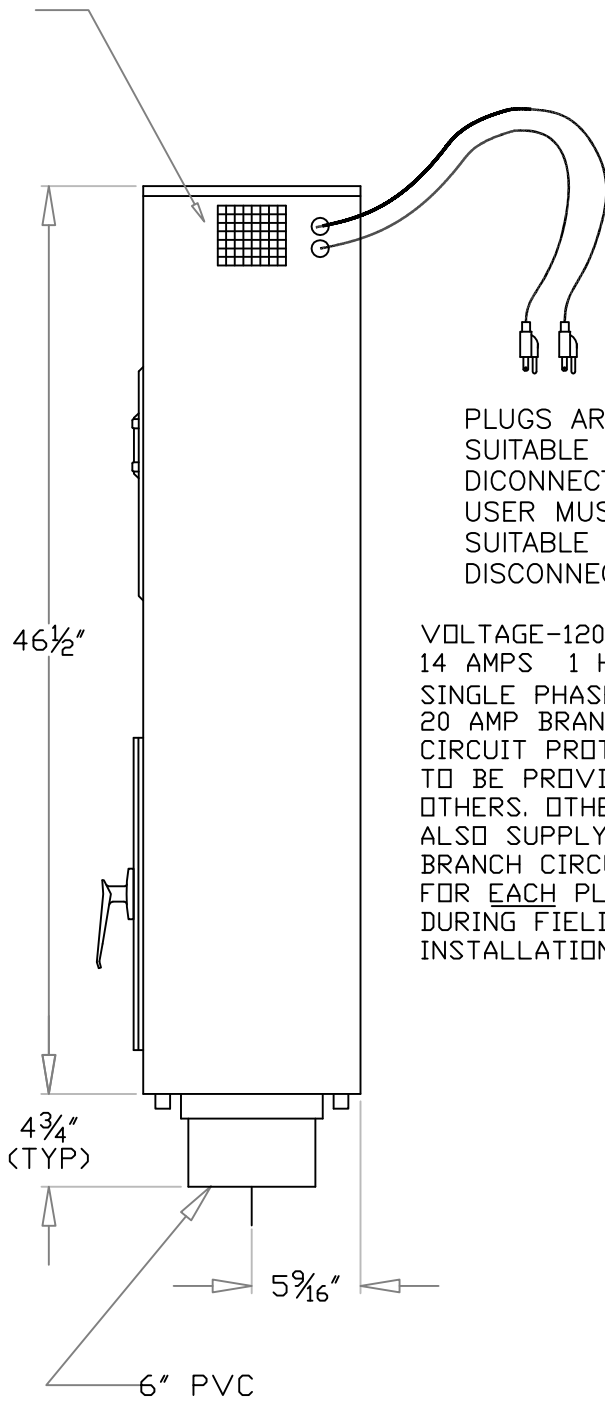
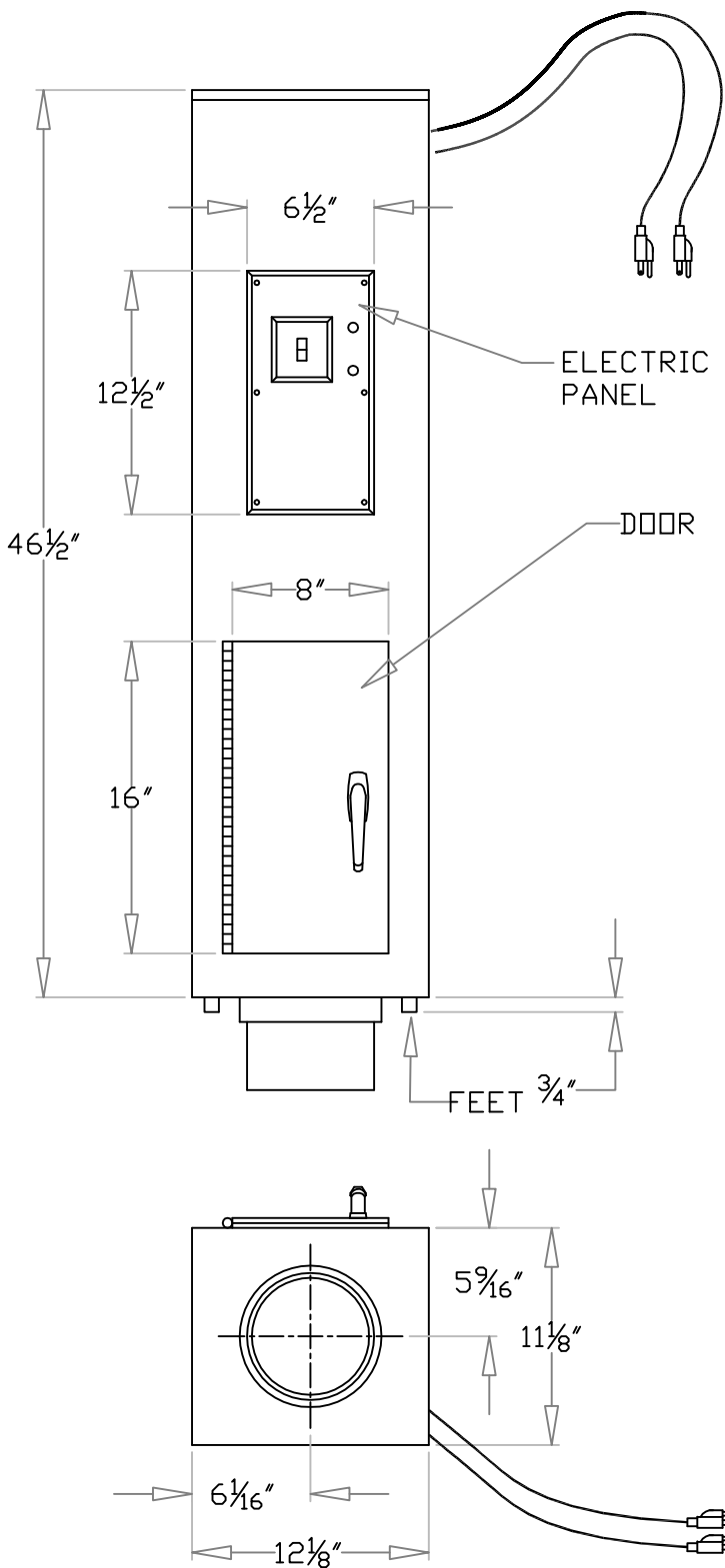


VENT HOLES
(BOTH SIDES)



PLUGS ARE NOT
SUITABLE AS
DICONNECTS
USER MUST SUPPLY
SUITABLE
DICONNECTS.

VOLTAGE-120VAC
14 AMPS 1 HP
SINGLE PHASE 50/60 Hz.
20 AMP BRANCH
CIRCUIT PROTECTION
TO BE PROVIDED BY
OTHERS. OTHERS MUST
ALSO SUPPLY A 20 AMP.
BRANCH CIRCUIT
FOR EACH PLUG.
DURING FIELD
INSTALLATION

TOLERANCES $\pm 1/32$ " FRACTIONAL DIMENSIONS
TOLERANCES $\pm .005$ " DECIMAL DIMENSIONS
UNLESS OTHERWISE SPECIFIED

INFORMATION CONTAINED HEREIN IS
PROPRIETARY TO EAGLE PNEUMATIC, INC.
ALL RIGHTS RESERVED

TITLE:
6 INCH TYPE I STATION
DOWN SEND

MATERIAL:

FINISH:

REV.
1-08/31/98
2-10/20/98
3-03/13/03
4-08/15/03

DRAWN: JAC
CADFILE\ A28

DATE: 10/17/89



EAGLE
PNEUMATIC, INC.
(863)644-4870

DRAWING NO.

S-152

APPROVED:

ISSUE

4