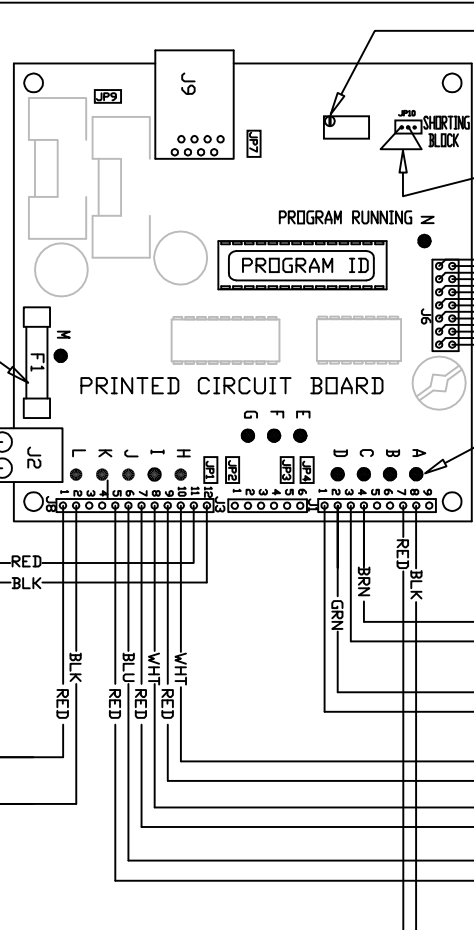
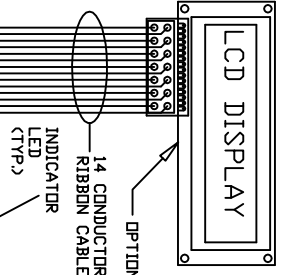


ONE CW TURN OF POTENTIOMETER SCREW EQUALS AN INCREASE OF APPROX. 1.25 SEC. OF TIME. USE ONLY WHEN LCD IS NOT PRESENT.

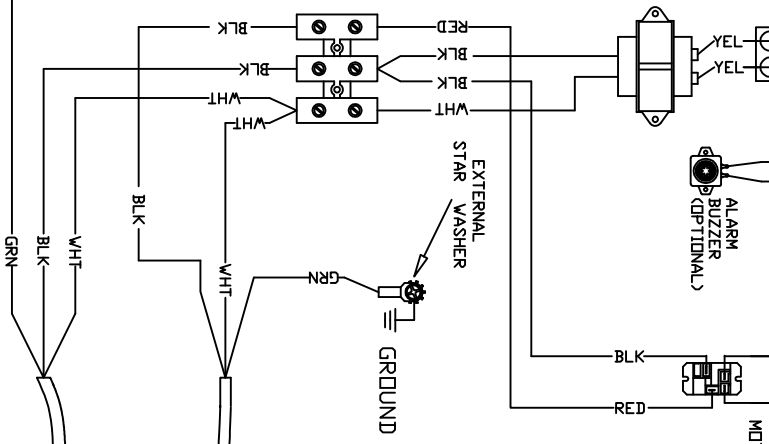
NOTE: SHORTING BLOCK MUST BE IN PLACE AS SHOWN TO INSURE PROPER OPERATION.



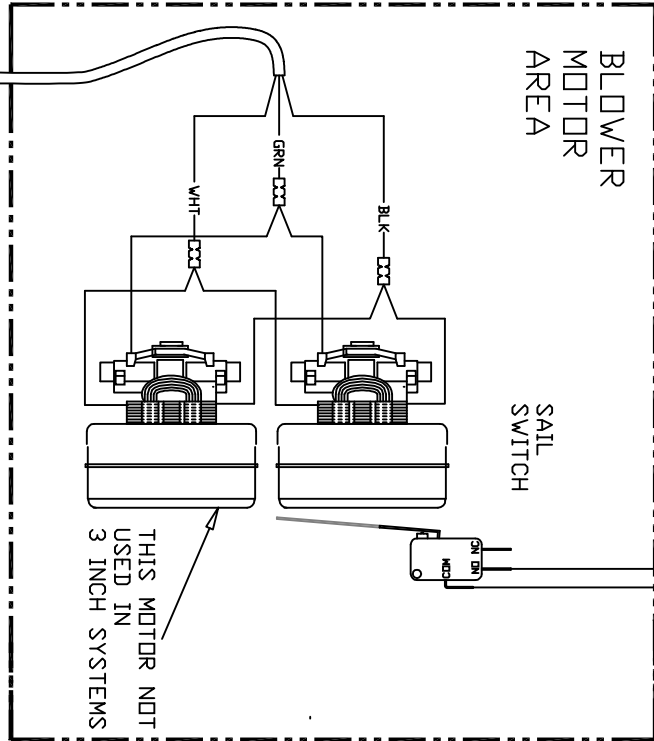
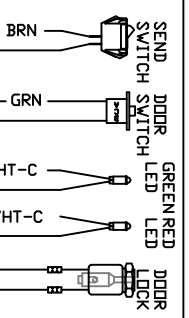
TRANSFORMER
PRIMARY - 120V,
SECONDARY - 24V
15VA

EXTERNAL STAR WASHER
GROUNDING LUG

TO SECURE GROUND LUG TO FRAME USE EXTERNAL STAR WASHER BETWEEN LUG AND FRAME AND SECURE WITH #8 SHEET METAL SCREW. USE UL LISTED GROUND LUG.



120 VAC POWER



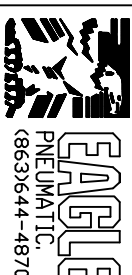
CIRCUIT BOARD SHORTING BLOCKS

J1	NONE
J2	NONE
J3	NONE
J4	NONE
J5	NONE
J6	NONE
J7	NONE
J8	NONE
J9	NONE
J10	YES - BETWEEN CENTER & NEAREST TO POTENTIOMETER

- FUNCTION OF INDICATOR LED'S ON PCB
- A ● INDICATES SAIL SWITCH IS OPERATED
 - B ● NOT USED
 - C ● INDICATES LOCAL SEND SWITCH IS OPERATED
 - D ● INDICATES LOCAL DOOR IS CLOSED
 - E ● THESE LED'S MAY LIGHT BUT ARE NOT USED FOR THIS APPLICATION AND MAY BE IGNORED.
 - F ● INDICATES LOCAL GREEN LED IS LIT
 - G ● INDICATES LOCAL RED LED IS LIT
 - H ● INDICATES LOCAL DOOR IS LOCKED
 - I ● INDICATES LOCAL DOOR IS RUNNING
 - J ● INDICATES TWO MOTORS ARE RUNNING
 - K ● INDICATES ONE MOTOR IS RUNNING
 - L ● INDICATES POWER IS ON
 - M ● BLINKING INDICATES PROGRAM IS OPERATIONAL

VOLTAGE - 120VAC
14 AMPS (7 AMPS FOR 3" SYSTEM)
1 HP
SINGLE PHASE/50/60 HZ.
20 AMP BRANCH CIRCUIT
PROTECTION TO BE PROVIDED BY OTHERS DURING FIELD INSTALLATION.

NOTE:
PLUG IS NOT SUITABLE AS DISCONNECTS. USER MUST SUPPLY SUITABLE DISCONNECTS.



INFORMATION CONTAINED HEREIN IS PROPRIETARY TO EAGLE PNEUMATIC, INC. ALL RIGHTS RESERVED.

TOLERANCES: UNLESS OTHERWISE SPECIFIED FRACTIONS +/- 1/32" DECIMALS +/- .005"

REVISIONS:
1-12/30/02
2-04/10/03
3-05/01/03
4-07/03/03
5-01/29/04

DRAWN BY: JAC
DATE: 12/30/02
NAME: WIRING DIAGRAM
PART NO. E-11793WD
CAD FILE: A20