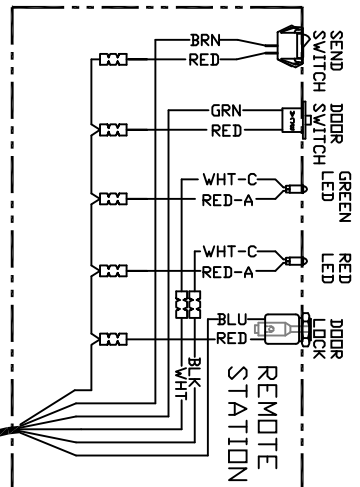


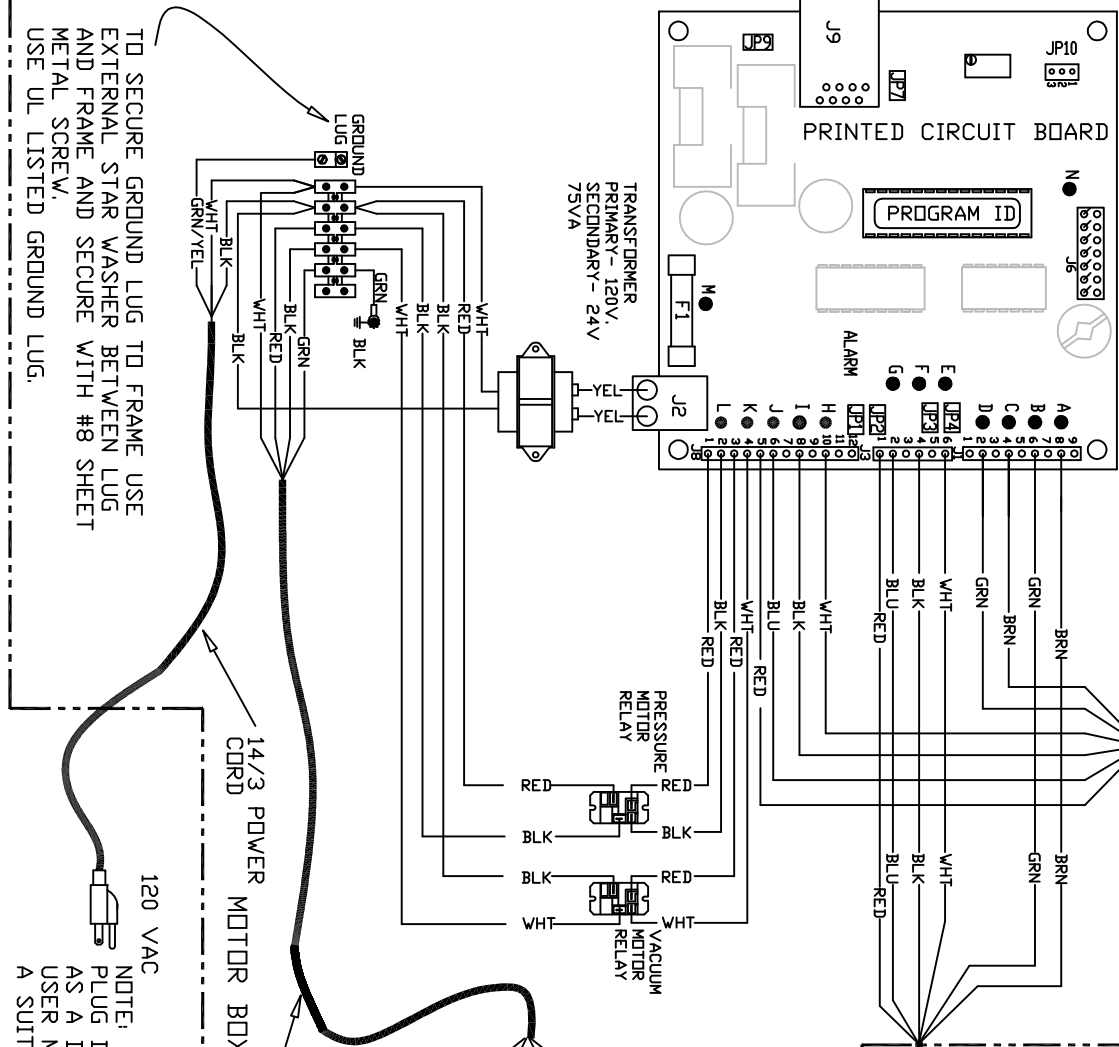
NOTE:
GREEN LED ON
SIGNIFIES READY
STATIONS
RED LED ON
SIGNIFIES
STATIONS IN
USE

6 CONDUCTOR
CABLE



- FUNCTION OF INDICATOR LEDS ON PCB**
- A ● INDICATES REMOTE SEND SWITCH IS OPERATED
 - B ● INDICATES REMOTE DOOR IS CLOSED
 - C ● INDICATES LOCAL SEND SWITCH IS OPERATED
 - D ● INDICATES LOCAL DOOR IS CLOSED
 - E ● INDICATES GREEN LED IS LIT
 - F ● INDICATES RED LED IS LIT
 - G ● INDICATES REMOTE DOOR IS LOCKED
 - H ● INDICATES LOCAL GREEN LED IS LIT
 - I ● INDICATES LOCAL RED LED IS LIT
 - J ● INDICATES LOCAL DOOR IS LOCKED
 - K ● INDICATES VACUUM MOTOR IS RUNNING
 - L ● INDICATES PRESSURE MOTOR IS RUNNING
 - M ● INDICATES POWER IS ON
 - N ● BLINKING INDICATES PROGRAM IS OPERATIONAL
- CIRCUIT BOARD SHORTING BLOCKS**
- JP1 — NONE
 - JP2 — NONE
 - JP3 — NONE
 - JP4 — NONE
 - JP7 — NONE
 - JP9 — NONE
 - JP10 — BETWEEN PINS 2&3

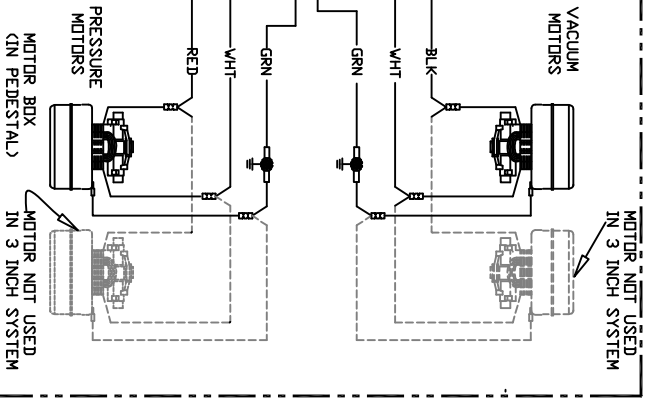
PRINTED CIRCUIT BOARD



TO SECURE GROUND LUG TO FRAME USE
EXTERNAL STAR WASHER BETWEEN LUG
AND FRAME AND SECURE WITH #8 SHEET
METAL SCREW.
USE UL LISTED GROUND LUG.

120 VAC
14/3 POWER MOTOR BOX
14/3 MOTOR

NOTE:
PLUG IS NOT SUITABLE
AS A DISCONNECT.
USER MUST SUPPLY
A SUITABLE DISCONNECT.



VOLTAGE-120VAC
14 AMPS
1 HP SINGLE PHASE/50/60 HZ.

20 AMP BRANCH CIRCUIT
PROTECTION TO BE
PROVIDED BY OTHERS
DURING FIELD INSTALLATION.



INFORMATION
CONTAINED HEREIN
IS PROPRIETARY TO
EAGLE PNEUMATIC,
INC ALL RIGHTS
RESERVED.

TOLERANCES:
UNLESS OTHERWISE SPECIFIED
FRACTIONS +/-1/32"
DECIMALS +/-0.005"

REVISONS: 6-07/24/03
1-10/30/02
2-10/31/02
3-04/10/03
4-06/04/03
5-07/03/03

DRAWN BY: JAC
DATE:10/30/02

NAME:
WIRING DIAGRAM
MINI MARK II
3 DR 4 INCH
W/M1 PCB

PART NO.

E-11881WD

CADFILE:A20