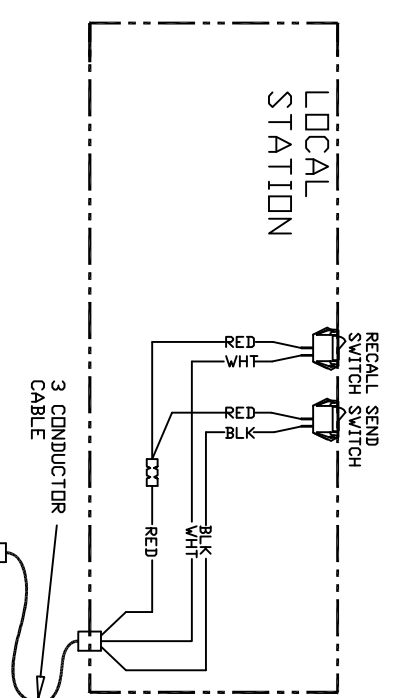


ONE CCV TURN OF POTENTIOMETER SCREW EQUALS AN INCREASE OF 1.25 SEC. OF TIME



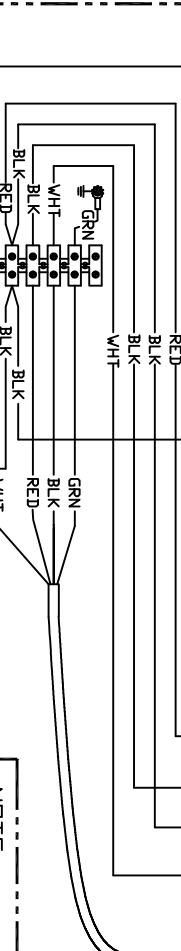
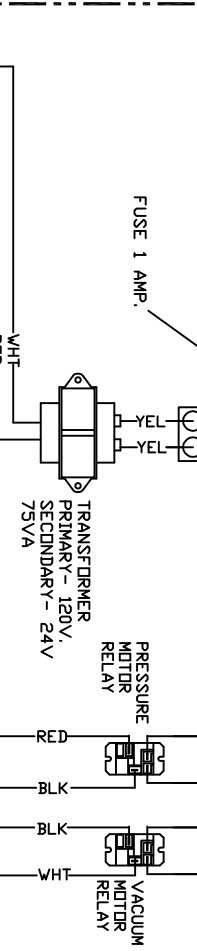
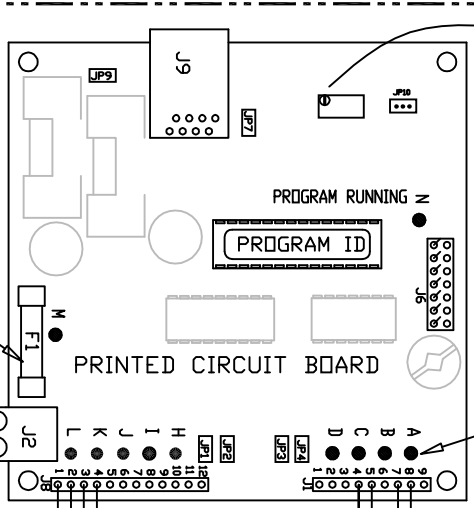
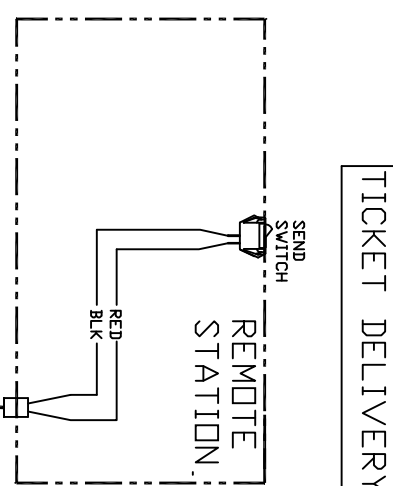
NOTE:  
GREEN LED ON SIGNIFIES STATIONS READY  
RED LED ON SIGNIFIES STATIONS IN USE

**FUNCTION OF INDICATOR LED'S ON PCB**

- A ● INDICATES REMOTE SEND SWITCH IS OPERATED
- B ● NOT USED
- C ● INDICATES LOCAL SEND SWITCH IS OPERATED
- D ● NOT USED
- E ● NOT USED
- F ● NOT USED
- G ● NOT USED
- H ● NOT USED
- I ● NOT USED
- J ● NOT USED
- K ● INDICATES VACUUM MOTOR IS RUNNING
- L ● INDICATES PRESSURE MOTOR IS RUNNING
- M ● INDICATES POWER IS ON
- N ● BLINKING INDICATES PROGRAM IS OPERATIONAL

**CIRCUIT BOARD SHORTING BLOCKS**

- JP1 — NINE
- JP2 — NINE
- JP3 — NINE
- JP4 — NINE
- JP7 — NINE
- JP9 — NINE
- JP10 — NINE



TO SECURE GROUND LUG TO FRAME USE EXTERNAL STAR WASHER BETWEEN LUG AND FRAME AND SECURE WITH #8 SHEET METAL SCREW.  
USE UL LISTED GROUND LUG.

NOTE:  
PLUG IS NOT SUITABLE AS A DISCONNECT.  
USER MUST SUPPLY A SUITABLE DISCONNECT.  
120 VAC POWER

VOLTAGE-120VAC  
14 AMPS  
1 HP SINGLE PHASE/50/60 HZ.  
20 AMP BRANCH CIRCUIT PROTECTION TO BE PROVIDED BY OTHERS DURING FIELD INSTALLATION.



INFORMATION CONTAINED HEREIN IS PROPRIETARY TO EAGLE PNEUMATIC, INC. ALL RIGHTS RESERVED.

TOLERANCES: UNLESS OTHERWISE SPECIFIED FRACTIONS +/-1/32" DECIMALS +/-005"

REVISONS:  
1-11/27/02  
2-12/17/02  
3-04/10/03

DRAWN BY: JAC  
DATE: 11/26/02

NAME:  
WIRING DIAGRAM  
MARK II MINI TICKET DELIVERY SYSTEM  
3 DR 4 INCH

PART NO.  
E-11899WD  
CAD FILE: A20