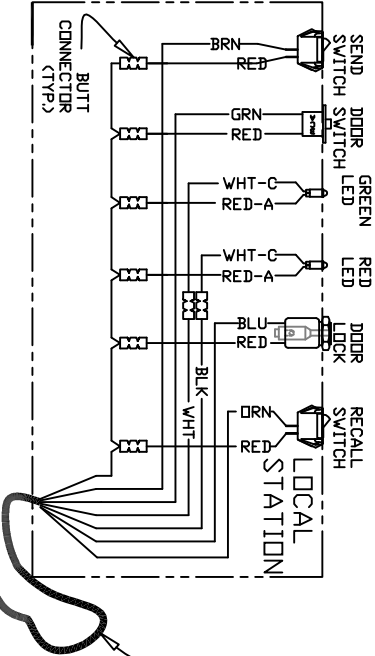
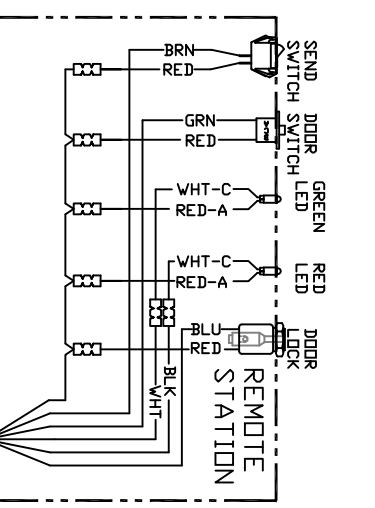


ONE CCV TURN OF POTENTIOMETER SCREW EQUALS AN INCREASE OF 1.25 SEC. OF TIME

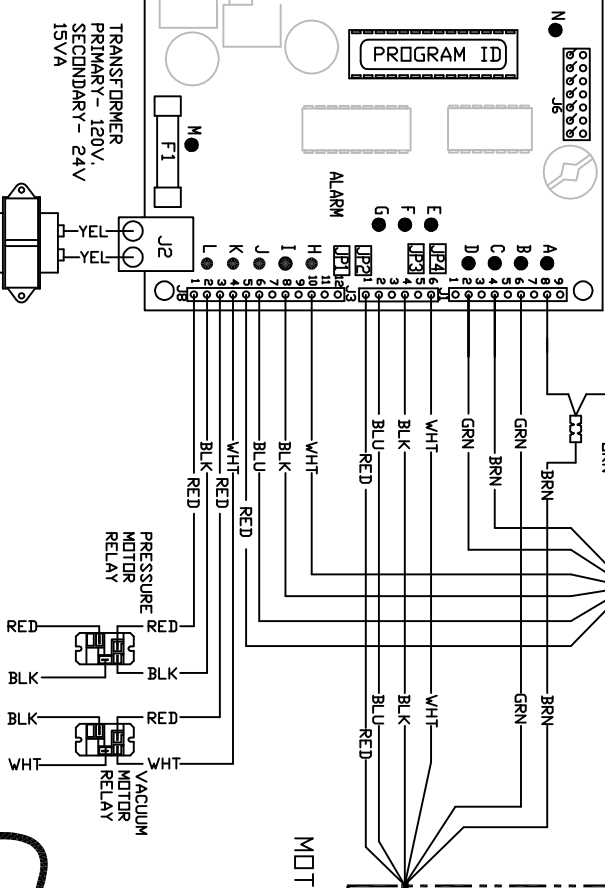


NOTE:  
GREEN LED ON  
STATIONS READY  
RED LED ON  
STATIONS IN  
USE

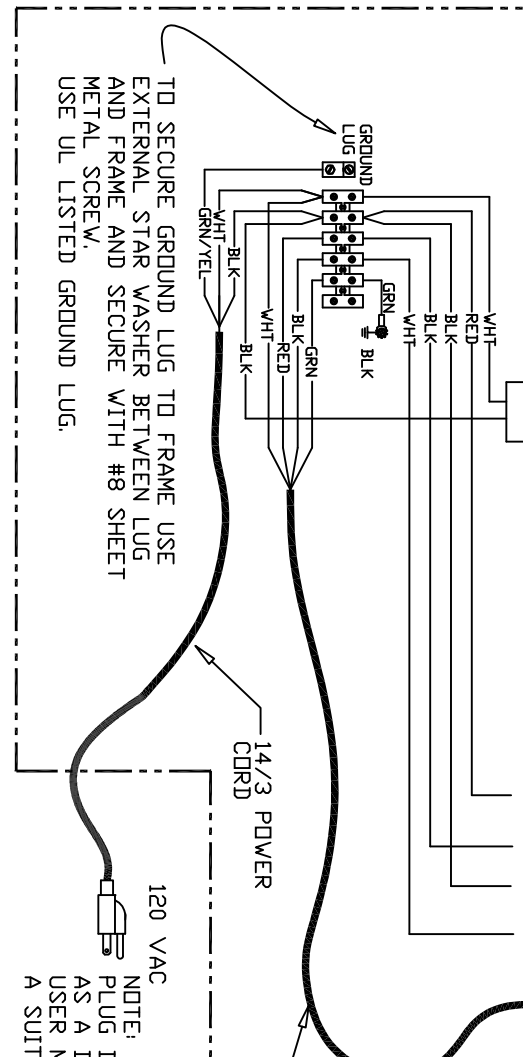
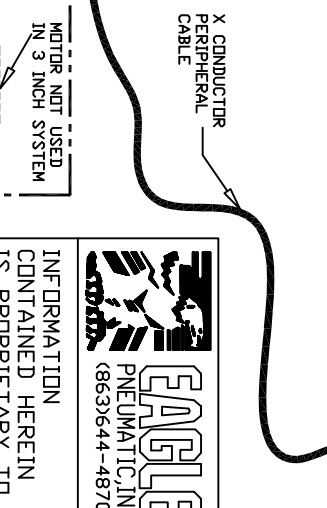
- FUNCTION OF INDICATOR LEDS ON PCB**
- A ● INDICATES REMOTE SEND SWITCH IS OPERATED
  - B ● INDICATES REMOTE DOOR IS CLOSED
  - C ● INDICATES LOCAL SEND SWITCH IS OPERATED
  - D ● INDICATES LOCAL DOOR IS CLOSED
  - E ● INDICATES GREEN LED IS LIT
  - F ● INDICATES RED LED IS LIT
  - G ● INDICATES REMOTE DOOR IS LOCKED
  - H ● INDICATES LOCAL GREEN LED IS LIT
  - I ● INDICATES LOCAL RED LED IS LIT
  - J ● INDICATES LOCAL DOOR IS LOCKED
  - K ● INDICATES VACUUM MOTOR IS RUNNING
  - L ● INDICATES PRESSURE MOTOR IS RUNNING
  - M ● INDICATES POWER IS ON
  - N ● BLINKING INDICATES PROGRAM IS OPERATIONAL



**PRINTED CIRCUIT BOARD**



- CIRCUIT BOARD SHORTING BLOCKS**
- JP1 — NONE
  - JP2 — NONE
  - JP3 — NONE
  - JP4 — NONE
  - JP7 — NONE
  - JP9 — YES - BETWEEN CENTER AND NEAREST POTENTIOMETER
  - JP10 — YES - BETWEEN CENTER AND NEAREST POTENTIOMETER



- VOLTAGE - 120VAC**
- 14 AMPS
  - 1 HP SINGLE PHASE/50/60 HZ.
- 20 AMP BRANCH CIRCUIT PROTECTION TO BE PROVIDED BY OTHERS DURING FIELD INSTALLATION.

**EAGLE PNEUMATIC, INC.**  
(863)644-4870

INFORMATION CONTAINED HEREIN IS PROPRIETARY TO EAGLE PNEUMATIC, INC. ALL RIGHTS RESERVED.

TOLERANCES: UNLESS OTHERWISE SPECIFIED FRACTIONS +/- 1/32" DECIMALS +/- .005"

REVISIONS:  
1-04/22/03  
2-05/04/03  
3-07/03/03  
4-07/24/03

DRAWN BY: JAC

DATE: 04/22/03

NAME: WIRING DIAGRAM MINI MARK II W/ RECALL SWITCH ULTIMATE PCB

PART NO. E-11953WD

CAD FILE: A20