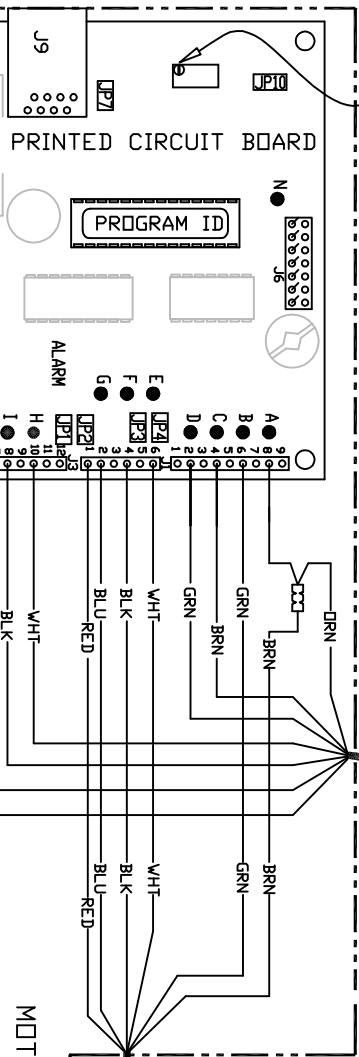
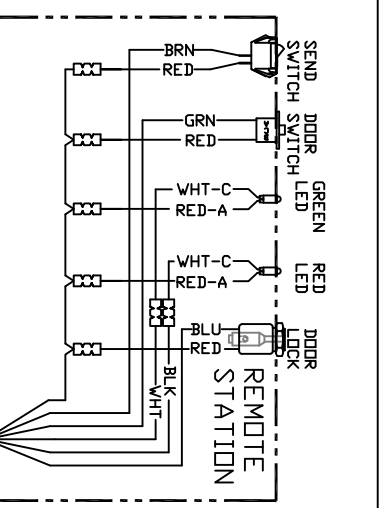
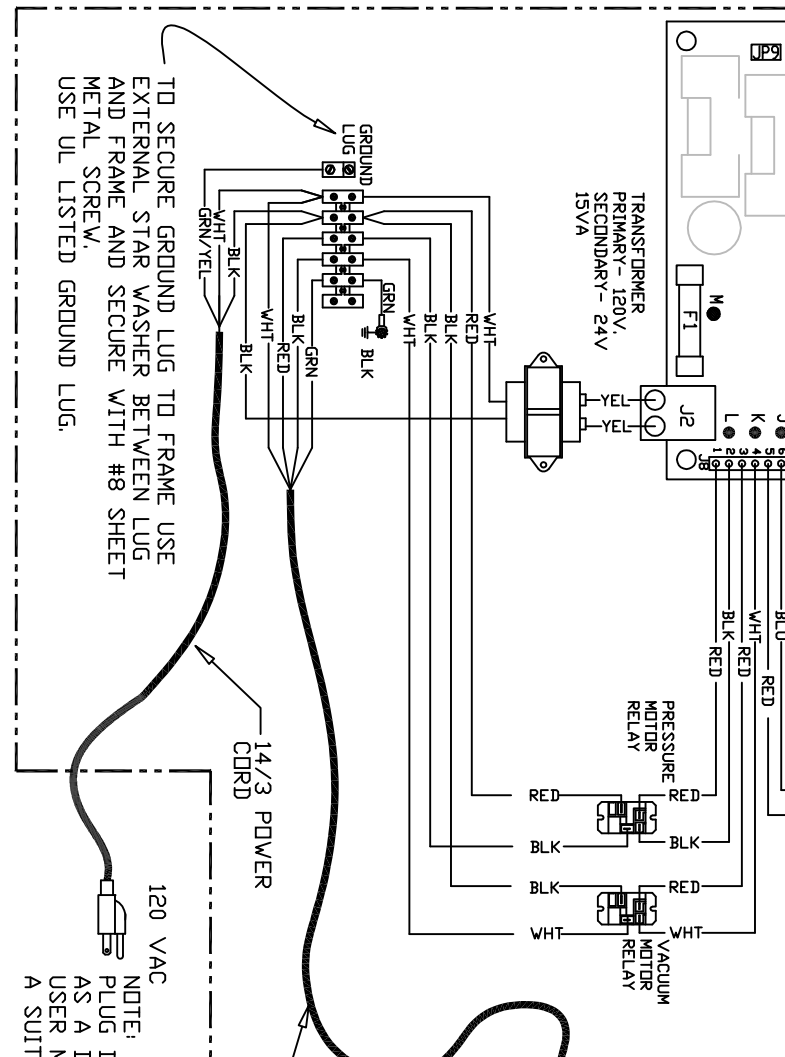
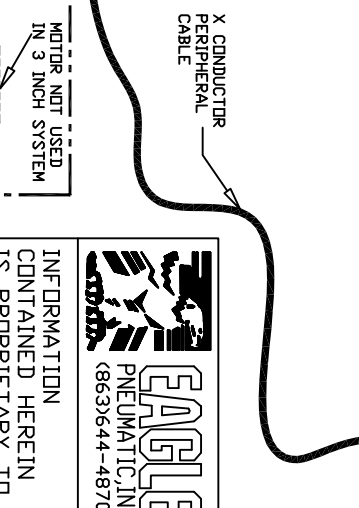


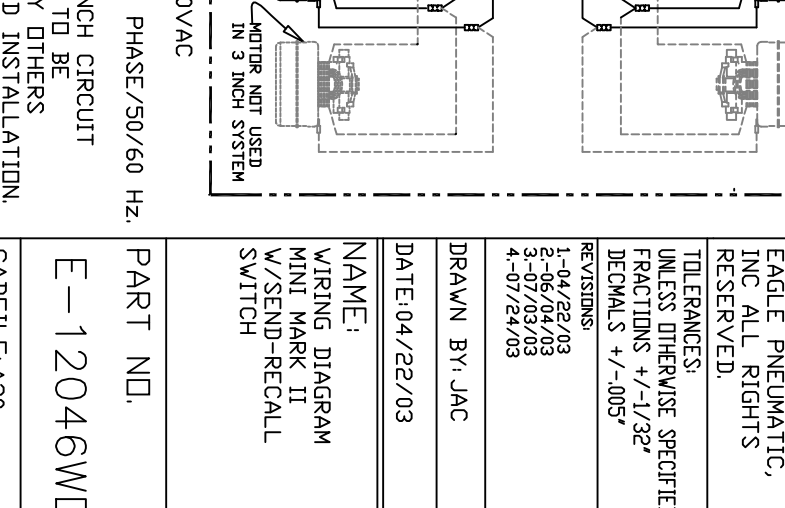
- FUNCTION OF INDICATOR LEDS ON PCB
- A ● INDICATES REMOTE SEND SWITCH IS OPERATED
  - B ● INDICATES REMOTE DOOR IS CLOSED
  - C ● INDICATES LOCAL SEND SWITCH IS OPERATED
  - D ● INDICATES LOCAL DOOR IS CLOSED
  - E ● INDICATES GREEN LED IS LIT
  - F ● INDICATES RED LED IS LIT
  - G ● INDICATES REMOTE DOOR IS LOCKED
  - H ● INDICATES LOCAL GREEN LED IS LIT
  - I ● INDICATES LOCAL RED LED IS LIT
  - J ● INDICATES LOCAL DOOR IS LOCKED
  - K ● INDICATES VACUUM MOTOR IS RUNNING
  - L ● INDICATES PRESSURE MOTOR IS RUNNING
  - M ● INDICATES POWER IS ON
  - N ● BLINKING INDICATES PROGRAM IS OPERATIONAL



- CIRCUIT BOARD SHORTING BLOCKS
- JP1 — NONE
  - JP2 — NONE
  - JP3 — NONE
  - JP4 — NONE
  - JP7 — NONE
  - JP9 — NONE
  - JP10 — YES-BETWEEN CENTER AND NEAREST POTENTIOMETER



- FUNCTION OF INDICATOR LEDS ON PCB
- A ● INDICATES REMOTE SEND SWITCH IS OPERATED
  - B ● INDICATES REMOTE DOOR IS CLOSED
  - C ● INDICATES LOCAL SEND SWITCH IS OPERATED
  - D ● INDICATES LOCAL DOOR IS CLOSED
  - E ● INDICATES GREEN LED IS LIT
  - F ● INDICATES RED LED IS LIT
  - G ● INDICATES REMOTE DOOR IS LOCKED
  - H ● INDICATES LOCAL GREEN LED IS LIT
  - I ● INDICATES LOCAL RED LED IS LIT
  - J ● INDICATES LOCAL DOOR IS LOCKED
  - K ● INDICATES VACUUM MOTOR IS RUNNING
  - L ● INDICATES PRESSURE MOTOR IS RUNNING
  - M ● INDICATES POWER IS ON
  - N ● BLINKING INDICATES PROGRAM IS OPERATIONAL



INFORMATION CONTAINED HEREIN IS PROPRIETARY TO EAGLE PNEUMATIC, INC. ALL RIGHTS RESERVED.

TOLERANCES: UNLESS OTHERWISE SPECIFIED FRACTIONS +/-1/32" DECIMALS +/-0.005"

REVISIONS:  
 1-04/22/03  
 2-06/04/03  
 3-07/03/03  
 4-07/24/03

DRAWN BY: JAC  
 DATE: 04/22/03

NAME: WIRING DIAGRAM  
 MINI MARK II  
 W/SEND-RECALL SWITCH

PART NO. E-12046WD

CAD FILE: A20

VOLTAGE -120VAC  
 14 AMPS  
 1 HP SINGLE PHASE/50/60 HZ.  
 20 AMP BRANCH CIRCUIT PROTECTION TO BE PROVIDED BY OTHERS DURING FIELD INSTALLATION.

NOTE: PLUG IS NOT SUITABLE AS A DISCONNECT. USER MUST SUPPLY A SUITABLE DISCONNECT.

TO SECURE GROUND LUG TO FRAME USE EXTERNAL STAR WASHER BETWEEN LUG AND FRAME AND SECURE WITH #8 SHEET METAL SCREW. USE UL LISTED GROUND LUG.